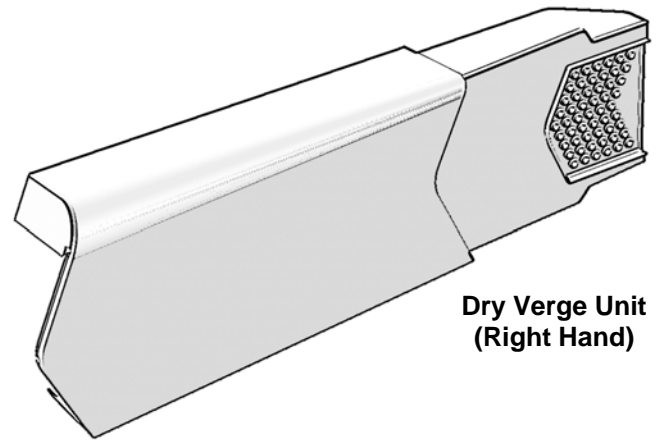


SmartVerge® Dry Verge Systems – Verge Units

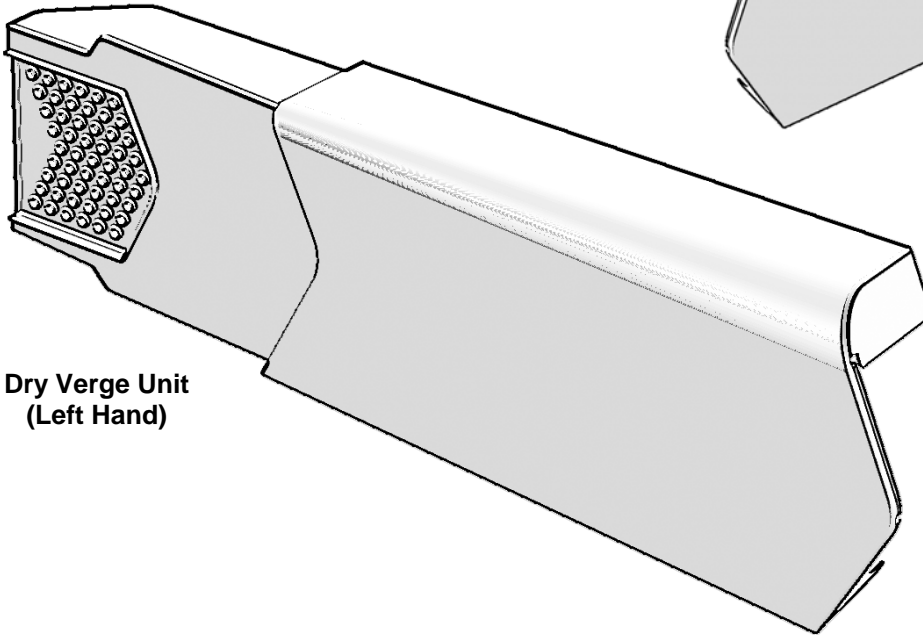
CODE **GDV**

Product Codes:

Dry Verge Unit (Right Hand)	GDV-RH
Dry Verge Unit (Left Hand)	GDV-LH



Dry Verge Unit (Right Hand)



Dry Verge Unit (Left Hand)

Description:

The Manthorpe Dry Verge System provides an attractive finish to the verge detail for most makes and profiles of Concrete Interlocking Tiles laid between **280mm** and **345mm** batten gauge.

The Verge Units can be easily fitted to each tile in succession. The system is mortar-free and can be fixed in all weather conditions. Once fitted they are weatherproof and maintenance free.

The Manthorpe Dry Verge is available in Terracotta, Dark Brown, Slate Grey and White to compliment any variation of roof design. The Dry Verge system preserves the 'stepped' appearance of the roof tiles while maintaining the continuous line on the underside of the verge.

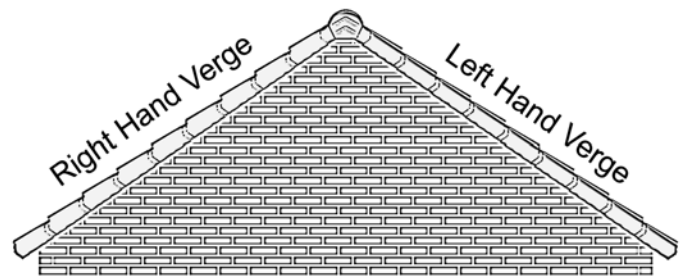


Illustration shows left and right hand verge units as viewed from outside the building. Note: careful attention should be taken when specifying 'left' and 'right.'

References:

- BSI: British Standard 5534:2003
- BSI: British Standard 6399-2:1997
- NHBC Standards Chapter 7.2 Pitched Roofs

MANTHORPE BUILDING PRODUCTS LTD
 MANTHORPE HOUSE
 BRITAIN DRIVE
 CODNOR GATE BUSINESS PARK
 RIPLEY
 DERBYSHIRE DE5 3ND

TEL: 01773 514 200
 FAX: 01773 514 262
 EMAIL: sales@manthorpe.co.uk
 WEB: www.manthorpe.co.uk

DRN R.P

Date 14.2.05

DRG No

Issue

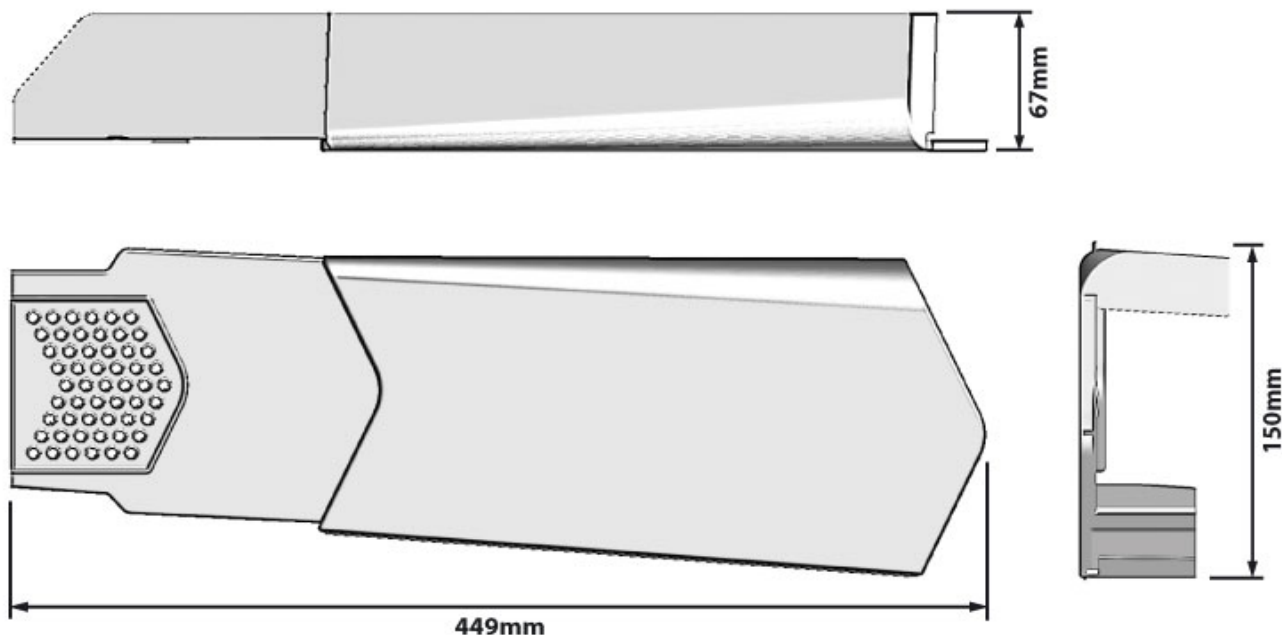
The company maintains a policy of continuous development of its product range and reserves the right to amend the specification without notice.

MBP 8226
 (PAGE 1 OF 2)

D

SmartVerge® Dry Verge Systems – Verge Units

CODE **GDV**



Guidance:

Each Dry Verge Unit should be fixed using aluminum or stainless steel, 3.35mm shank diameter spiral roll or annular shank nails, 38mm in length (these are not provided).



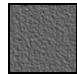

The Manthorpe Dry Verge Units can be fixed directly to the end of the tiling battens or used in conjunction with an additional refurbishment batten to avoid the need for raking a mortar bedded verge. (See Fitting Instructions).

At the eaves, each run of Dry Verge units should be closed off at the bottom using the Manthorpe Eaves Closure Pack (Product Code: **GDV-EC**) to prevent the ingress of birds and large insects.

At the ridge, the Manthorpe Angled or Round Ridge End Cap (Product Code: **GDV-END-A** or **GDV-END-R**) should be used to prevent the ingress of birds and large insects.

At a top edge abutment or similar, a lead flashing should be dressed over the tail of the top verge unit. The length of flashing will be dependent on the rafter pitch.

Note: Suitable for 25mm thick battens only.

BATTEN GAUGE COMPATABILITY	280mm to 345mm
ROOF PITCH COMPATABILITY	15° to 55°
PACKING DETAILS	Dry Verge Pack contains 10 Left or Right Dry Verge Units plus Fixing Instructions. 5 Packs per Box.
WEIGHT	14.5kg per Box
MATERIAL	Unplasticized Polyvinyl Chloride (uPVC)
MANUFACTURING PROCESS	Injection Moulded
COLOUR VARIATIONS	<p>Terracotta (TR) </p> <p>Dark Brown (BR) </p> <p>Slate Grey (GR) </p> <p>White (WH) </p>

MANTHORPE BUILDING PRODUCTS LTD
MANTHORPE HOUSE
BRITAIN DRIVE
CODNOR GATE BUSINESS PARK
RIPLEY
DERBYSHIRE DE5 3ND

TEL: 01773 514 200
FAX: 01773 514 262
EMAIL: sales@manthorpe.co.uk
WEB: www.manthorpe.co.uk

DRN R.P

Date 14.2.05

DRG No

Issue

The company maintains a policy of continuous development of its product range and reserves the right to amend the specification without notice.

MBP 8226
(PAGE 2 OF 2)

D