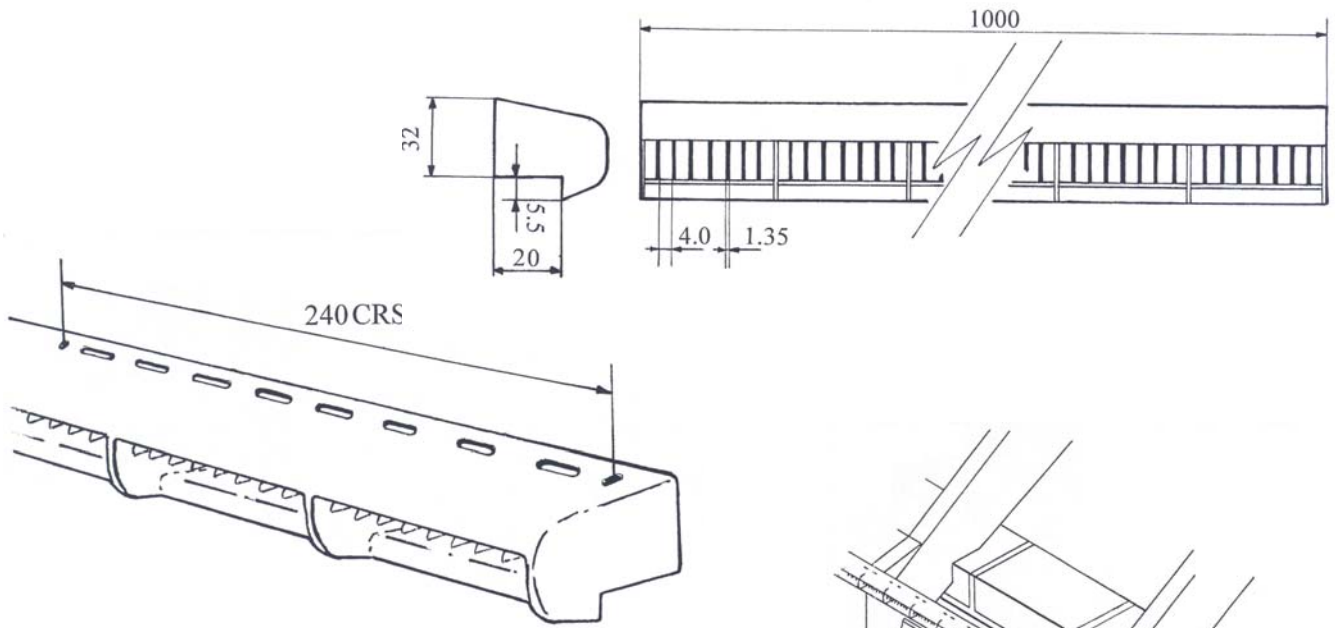


Over Fascia Ventilator

CODE **G2500N**



Description:

The G2500N Over Fascia Ventilator is designed to discreetly ensure a positive airflow into the roof space between the felt and the fascia board, making it ideal for new build and re-roofing situations where a 25mm airflow is required. It can also be fitted in a flat roof abutment detail (see sheet 2).

The G2500N consists of evenly spaced openings specifically sized to prohibit large insects gaining access but wide enough not to be blocked by debris, paint or water droplets (See BS5250 section 6).

Fitting Instructions:

The G2500N Over Fascia Ventilator (A) should be nailed to the top of the fascia board through the fixing holes provided along the full length of the eaves as shown.

Use in conjunction with other products from the Manthorpe range to provide a complete roof ventilation system.

References:

BRE: DIGEST 262/270
 BSI: BS5250
 DOE: Building Regs F2
 NHBC: Good Practice Guide
 NHBC: Standards 7.2

COLOURS	Black
PACKING DETAILS	20 Meters 20 x 1 Meter lengths per box
WEIGHT	3.9kg per box
MATERIAL	Polypropylene
MANUFACTURING PROCESS	Injection Moulded
FREE AIRFLOW	25,000mm ² /M equivalent to a continuous gap of 25mm

MANTHORPE BUILDING PRODUCTS LTD
 MANTHORPE HOUSE
 BRITAIN DRIVE
 CODNOR GATE BUSINESS PARK
 RIPLEY
 DERBYSHIRE DE5 3ND

TEL: 01773 514 200
 FAX: 01773 514 262
 EMAIL:
sales@manthorpe.co.uk
 WEB:
www.manthorpe.co.uk

DRN M.A

Date 01.08.03

DRG No

Issue

The company maintains a policy of continuous development of its product range and reserves the right to amend the specification without notice.

MBP 8011

A